

# Vacvator



# METRO 4

## METRO 4-40 NDD-JET

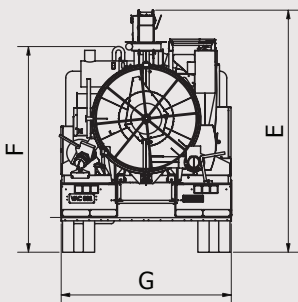
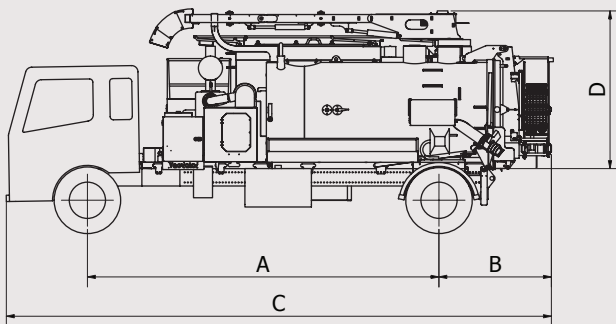
Compact Power. Maximum Control

| Operating System                      |   |                                 |
|---------------------------------------|---|---------------------------------|
| CAN bus                               | Interactive colour touch screen   |                                 |
| Spoil Tank                            |   |                                 |
| Litre Capacity                        | 4000L   |                                 |
| Spoil Door                            | Fully opening   |                                 |
| Door Operation                        | Hydraulic   |                                 |
| Door Lock                             | Four point hydraulic wedge locking mechanism                              |                                 |
| Tipping                               | Telescopic hoist with safety valve  |                                 |
| Water Tank                            |   |                                 |
| Clean Water Tank Capacity             | Integrated  | 2000L                           |
| Clean Water Fill Type                 | Backflow protected Connection at ground level                             | 50mm (2") camlock               |
| Vacuum System                         |   |                                 |
| Power Supply                          | Rear engine PTO   | 600N.m                          |
| Blower                                | Shandong, ZSH150V Roots type rotary lobe, air injection                   | 2718m <sup>3</sup> /h (1600cfm) |
| Filtration                            |   |                                 |
| 4 Stage Filtration System             | Spoil tank, 2 barrel cyclone, 9 poly washable filters & blower pre-filter |                                 |
| Suction Boom                          |   |                                 |
| 3 Function                            | Hydraulic 340° slew, boom up/down, boom stick in/out                      | 5m reach                        |
| Travis Coupling                       | 150mm (6")  |                                 |
| Spoil Connection Points               |   |                                 |
| Spoil Tank Inlet                      | Travis with knife valve   | 150mm (6")                      |
| Spoil Tank Dewatering Drain           | Travis with knife valve   | 150mm (6")                      |
| Boom Inlet                            | Travis  | 150mm (6")                      |
| NDD - High Pressure Water             |   |                                 |
| Pump                                  | Comet TW8036S   | 1*                              |
| Pressure                              | 248 Bar (3600psi)   |                                 |
| Flow                                  | 32LPM   |                                 |
| Hose Size                             | 10mm (3/8")   |                                 |
| Hose Length                           | 20m   |                                 |
| High Pressure Lance with Turbo Nozzle | 1x 1500mm & 1x 2000mm   |                                 |

| Jetter Drain Cleaner                    |   |                              |
|---|---|------------------------------|
| Triplex Water Pump                      | Comet TW8036S   | 32LPM 248 Bar (3600psi)      |
| Jetting Reel                            | Mini easement reel  | 60m of 1/4" Jetting hose     |
| Jetting Heads                           | ENZ Kit 1/4" BSP  | 1                            |
| Remote Control                          | Pump on/off   |                              |
| Remote                                  |   |                              |
| Wireless Remote                         | 12 button, 24 function, variable speed, rechargeable batteries, emergency stop                                      |                              |
| Safety Equipment                        |   |                              |
| CAN bus Control System                  | Integrated safety shut down protection scales, e-stops, high water pressure, hydraulic oil temp & engine protection |                              |
| Emergency Stops                         | Control panel, Remote, LHS rear, RHS rear   | 4                            |
| Fire Extinguisher                       | Dry chemical ABE  | 4.5kg                        |
| Spoil Tank Safety Prop                  | Yes   |                              |
| Spoil Door Safety Prop                  | Yes   |                              |
| Safety Handrail and Maintenance Walkway | Pneumatically operated  | Yes                          |
| Safety Harness Attachment Point         | Yes   |                              |
| Beacons                                 | Front & Rear  | Yes                          |
| Work Lights                             | Rear of cab, end of boom & rear of tank   | Yes                          |
| LED Light Bars                          | Left & right hand side  | Yes                          |
| UHF 80 Channel                          | Yes   |                              |
| Storage                                 |   |                              |
| Blower Frame Toolbox                    | Vertical three shelf  | 1m x 1m x .40m (400L)        |
| Underbody Toolbox                       | 1m (250L)*  |                              |
| Hose Trays                              | Left & right hand side  | 2.4m x .50m (480L)           |
| Lockable Hose Tray (option)             | Left & right hand side  | 2.4m x .50m (480L)           |
| Vacuum Hose Reel                        | Vacvator - Rear mounted, variable speed remote operated in/out  | 40m (2x 20m) 100mm (4") hose |
| Truck                                   |   |                              |
| Volvo FE818-320Hp 4x2                   | Automatic transmission & airbag suspension  |                              |

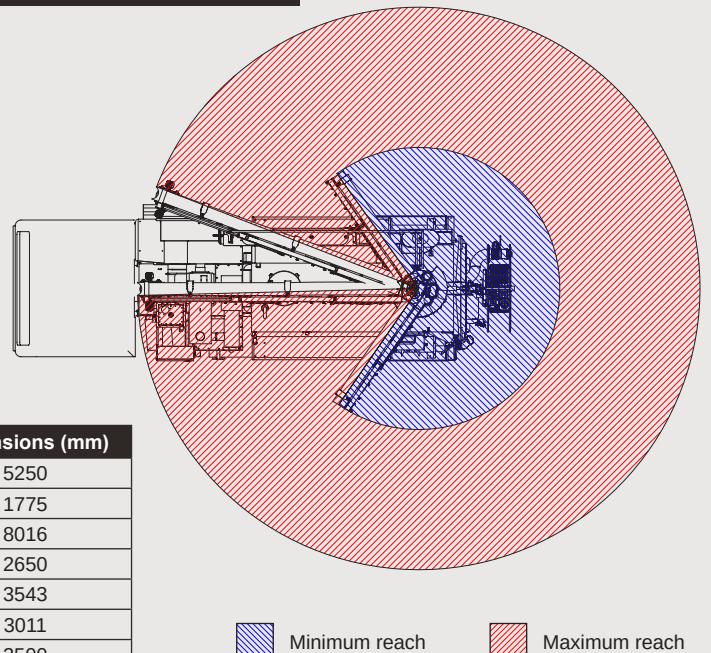
\* Option of two

## Unit Dimensions



| Description              | Code | Dimensions (mm) |
|--------------------------|------|-----------------|
| Wheelbase                | A    | 5250            |
| Rear Overhang            | B    | 1775            |
| Overall Length           | C    | 8016            |
| Unit Height              | D    | 2650            |
| Overall Height           | E    | 3543            |
| Overall Height - No Boom | F    | 3011            |
| Overall Width            | G    | 2500            |

## Boom Reach



Minimum reach
  Maximum reach